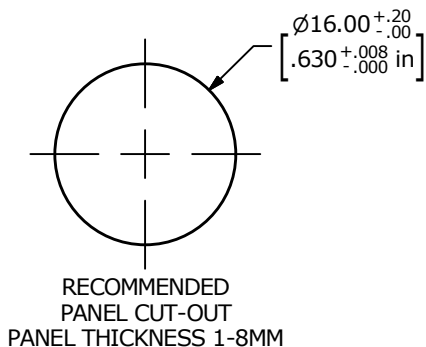
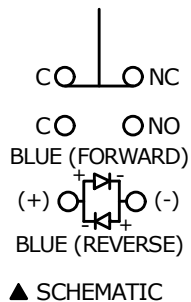
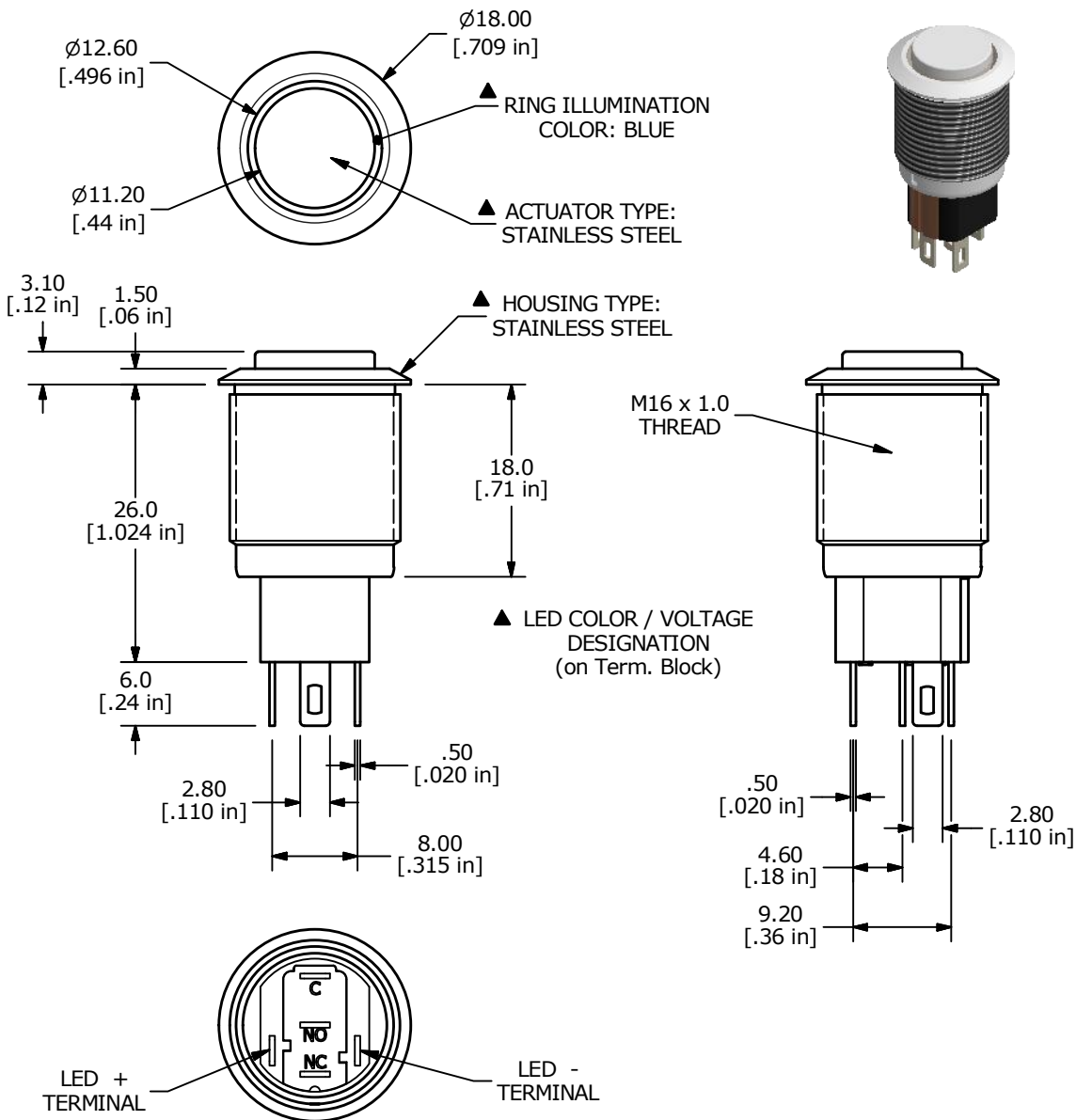


SWITCH FUNCTION	
POS. 1	POS. 2
ON	ON
C - NC	C - NO



- NOTE:
1. ALL DIMENSIONS IN mm [INCH]
 2. GENERAL TOLERANCE: X.X = ±0.4
X.XX = ±0.25
 3. TERMINAL NUMBERS FOR REF ONLY
 4. CONTACT MATERIAL: SILVER
 5. RATING: 2A 36VDC
 6. ELECTRIC LIFE: 50,000 MAKE-AND-BREAK CYCLES AT FULL LOAD.
 7. INSULATION RESISTANCE: 1,000 MΩ MIN.
 8. DIELECTRIC STRENGTH: 1,500 VAC MIN. FOR 1 MINUTE
 9. CONTACT RESISTANCE: 50mΩ MAX.
 10. OPERATING TEMP.: -25°C to 55°C
 11. TRAVEL: 3.0mm
 12. ▲ DENOTES CRITICAL PARAMETER
 13. ACTUATION FORCE: 1.7N NOMINAL
 14. INGRESS PROTECTION: IP65
 15. HARDWARE SUPPLIED: O-RING AND HEXNUT
 - ▲ 16. LAMP VOLTAGE: 2.8V BLUE LED



B	23342	change location of color/voltage callout	5/2/18	MW
A	23163	New Release	1/12/18	rc
REV	PCR NO	DESCRIPTION	DATE	BY

TITLE PVA3H230SS341				
SCALE 1.5:1	DATE 1/12/2018	DR rc	DWG 52-PVA3H230SS341	REV B